

## RB 63-80 GEARED MOTOR

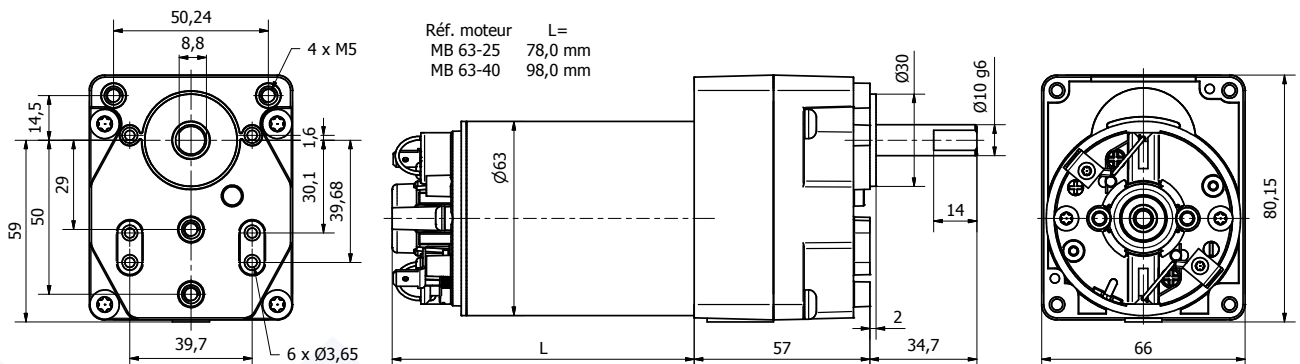
### DESCRIPTION

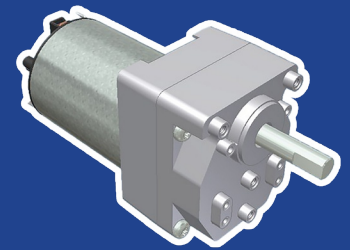
- Permanent magnet motor.
- For MB 63-25 or MB 63-40 motor description: see previous pages following requested performance.
- Rotation direction CW seen from shaft end, the reverse may be obtained by reversing the electrical connection.
- Open motor to be installed on protected systems.
- Rotation on 2 ball bearings on output shaft.
- Zamak gear housing with parallel gear shafts from 2 to 6 stages up to 8.0 N.m max.
- Possibility of gear ratios from 3.7:1 to 2880:1 in a small dimension.
- Electrical connection on 2 tabs of 6.35 mm x 0.8 mm.

### OPTIONS

- Possibility of shaft end dedication, in line to your need.
- Possibility to supply intermediate gear ratio.
- Possibility to fit a tachometer or a braking system onto the motor.

### 2D PLAN





## RB 63-80 GEARED MOTOR

### CHARACTERISTICS



Part number		RB 63-80 001	RB 63-80 002	RB 63-80 003	RB 63-80 004	RB 63-80 005	RB 63-80 006
Input voltage (VDC)		12	24	48	12	24	48
Out. rotation speed (RPM)	Gear ratio	Motor part number fitted on gear box and nominal output torque (N.m)					
		MB 63-25 001	MB 63-25 002	MB 63-25 003	MB 63-40 001	MB 63-40 002	MB 63-40 003
757	3,7÷1	0,39	0,45	0,51	0,63	0,60	0,57
136	20,6÷1	0,63	0,73	0,83	1,02	0,97	0,92
79	35,6÷1	1,26	1,46	1,65	2,04	1,94	1,85
58	48,4÷1	2,24	2,58	2,92	3,61	3,44	3,27
39	71,6÷1	3,50	4,04	4,57	5,65	5,38	5,11
31	90,5÷1	4,27	4,92	5,58	6,89	6,56	6,23
20	138÷1	5,69	6,56	7,44	8,00	8,00	8,00
16	173÷1	7,37	8,00	8,00	8,00	Fitting model MB 63-40 motor is unnecessary for these gear ratios, because gear box is limited to 8.0 N.m.	
12	232÷1	8,00	8,00	8,00	8,00		
9,3	300÷1	8,00	8,00	8,00	8,00		
6,9	405÷1	8,00	8,00	8,00	8,00		
5,6	498÷1	8,00	8,00	8,00	8,00		
4,6	606÷1	8,00	8,00	8,00	8,00		
3,9	709÷1	8,00	8,00	8,00	8,00		
3,3	847÷1	8,00	8,00	8,00	8,00		
2,5	1133÷1	8,00	8,00	8,00	8,00		
0,97	2880÷1	8,00	8,00	8,00	8,00		
Max. overall weight (kg)		1,5	1,5	1,5	1,7	1,7	1,7

### PERFORMANCES

