

RA 63-200 GEARED MOTOR

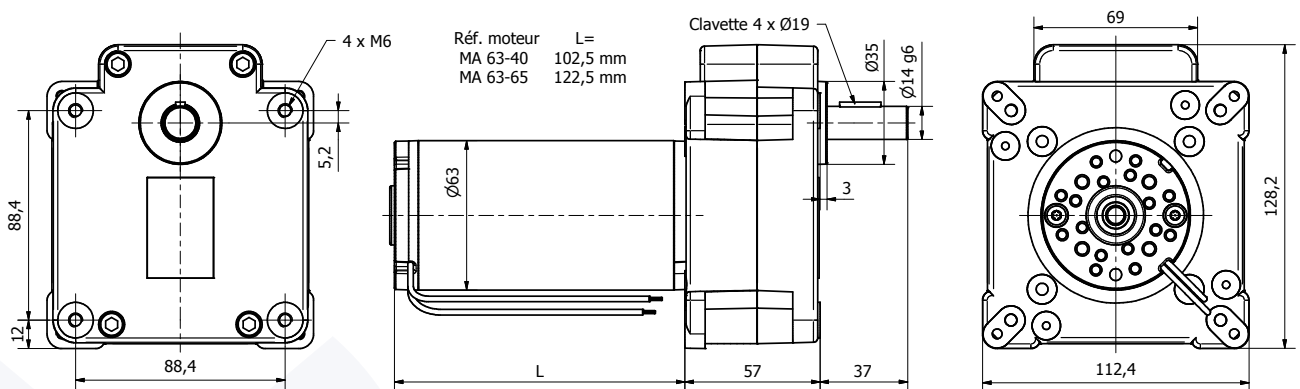
DESCRIPTION

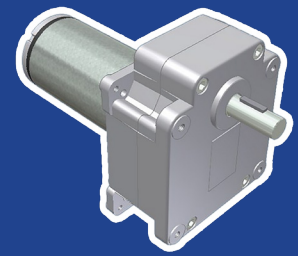
- Permanent magnet motor.
- For MA 63-40 or MA 63-65 motor description: see previous pages following requested performance.
- Rotation direction CW seen from shaft end, the reverse may be obtained by reversing the electrical connection.
- Rotation on 2 ball bearings on output shaft.
- Zamak gear housing with parallel gear shafts from 2 to 5 stages up to 25.0 N.m max.
- Possibility of gear ratios from 5.0÷1 to 639÷1.

OPTIONS

- Possibility of shaft end dedication, in line to your need.
- Possibility to supply intermediate gear ratio.
- Possibility to fit a tachometer or a braking system onto the motor.

2D PLAN





RA 63-200 GEARED MOTOR

CHARACTERISTICS



Part number		RA 63-200 001	RA 63-200 002	RA 63-200 003	RA 63-200 004	RA 63-200 005	RA 63-200 006
Input voltage (VDC)		12	24	48	12	24	48
Out. rotation speed (RPM)	Gear ratio	Motor part number fitted on gear box and nominal output torque (N.m)					
		MA 63-40 001	MA 63-40 002	MA 63-40 003	MA 63-65 004	MA 63-65 005	MA 63-65 006
600	5,0÷1	0,69	0,61	0,53	1,30	1,46	1,54
375	8,0÷1	1,10	0,97	0,84	2,07	2,33	2,46
306	9,8÷1	1,35	1,19	1,03	2,54	2,86	3,02
191	15,7÷1	2,17	1,91	1,66	4,08	4,59	4,84
125	24÷1	2,99	2,64	2,29	5,63	6,33	6,68
91	33÷1	4,05	3,58	3,10	7,63	8,58	9,06
77	39÷1	4,79	4,22	3,66	9,01	10,13	10,70
64	47÷1	5,85	5,16	4,47	11,01	12,39	13,08
54	56÷1	6,90	6,09	5,28	12,99	14,61	15,42
47	64÷1	7,93	7,00	6,06	14,92	16,79	17,72
37	80÷1	8,95	7,89	6,84	16,84	18,95	20,00
31	98÷1	10,93	9,65	8,36	20,58	23,16	24,44
23	130÷1	14,52	12,81	11,10	25,00	25,00	25,00
18	167÷1	18,63	16,43	14,24	25,00	25,00	25,00
11,5	260÷1	25,00	25,00	22,19	Gear box is limited to 25.0 N.m.		25,00
9,0	335÷1	25,00	25,00	25,00			25,00
4,7	639÷1	25,00	25,00	25,00			25,00
Max. overall weight (kg)		1,5	1,5	1,5	1,7	1,7	1,7

PERFORMANCES

