

RA 42-30 GEARED MOTOR

DESCRIPTION

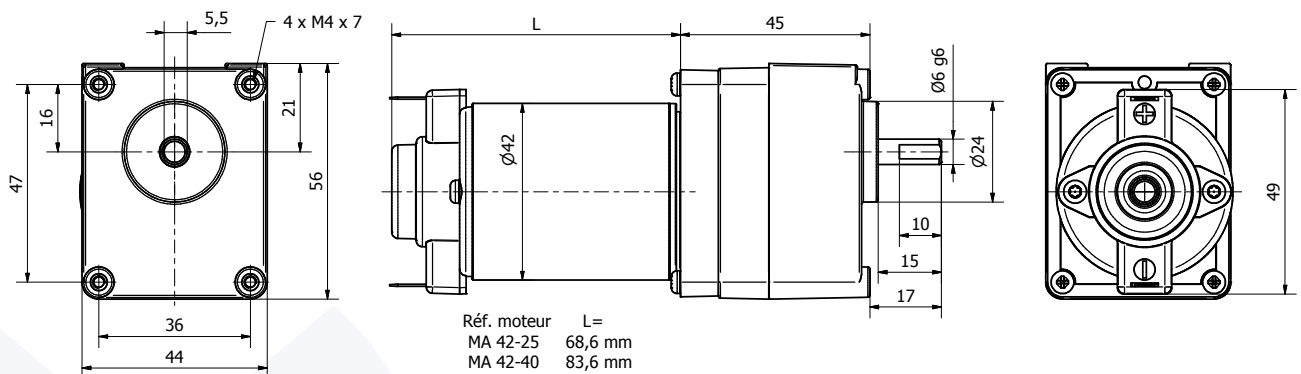
- Permanent magnet motor.
- For MA 42-25 or MA 42-40 motor description: see previous pages following requested performance.
- Rotation direction CW seen from shaft end, the reverse may be obtained by reversing the electrical connection.

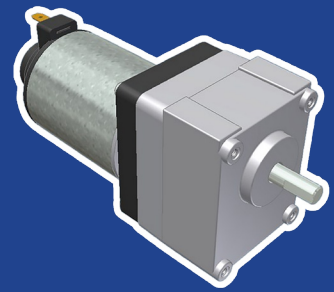
- Rotation on 1 ball bearing on output and 1 sleeve bearing made of sintered bronze at opposite side.
- Zamak gear housing with parallel gear shafts from 2 to 5 stages up to 3.0 N.m max.
- Possibility of gear ratios from 5.34÷1 to 752÷1 in a small size.
- Electrical connection on 2 tabs of 4.8 mm x 0.5 mm.

OPTIONS

- Possibility of shaft end dedication, in line to your need.
- Possibility to supply intermediate gear ratio.
- Possibility to fit a tachometer or a braking system onto the motor.

2D PLAN





MOTORÉDUCTEUR RA 42-30

CHARACTERISTICS



| Part number | | RA 42-30 001 | RA 42-30 002 | RA 42-30 003 | RA 42-30 004 | RA 42-30 005 | RA 42-30 006 |
|---------------------------|------------|--|--------------|--------------|--------------|--------------|--------------|
| Input voltage (VDC) | | 12 | 24 | 48 | 12 | 24 | 48 |
| Out. rotation speed (RPM) | Gear ratio | Motor part number fitted on gear box and nominal output torque (N.m) | | | | | |
| | | MA 42-25 001 | MA 42-25 002 | MA 42-25 003 | MA 42-40 001 | MA 42-40 002 | MA 42-40 003 |
| 590 | 5,34÷1 | 0,14 | 0,17 | 0,16 | 0,26 | 0,29 | 0,31 |
| 358 | 8,79÷1 | 0,23 | 0,28 | 0,26 | 0,43 | 0,48 | 0,51 |
| 269 | 11,7÷1 | 0,30 | 0,38 | 0,34 | 0,57 | 0,65 | 0,69 |
| 127 | 24,8÷1 | 0,58 | 0,72 | 0,65 | 1,08 | 1,23 | 1,30 |
| 89 | 35,2÷1 | 0,82 | 1,03 | 0,92 | 1,54 | 1,74 | 1,85 |
| 67 | 47÷1 | 1,10 | 1,37 | 1,23 | 2,06 | 2,33 | 2,47 |
| 38 | 83÷1 | 1,74 | 2,17 | 1,95 | 3,00 | 3,00 | 3,00 |
| 32 | 98÷1 | 2,05 | 2,56 | 2,31 | 3,00 | 3,00 | 3,00 |
| 29 | 110÷1 | 2,32 | 2,90 | 2,61 | 3,00 | 3,00 | 3,00 |
| 24 | 131÷1 | 2,74 | 3,00 | 3,00 | 3,00 | | |
| 19 | 169÷1 | 3,00 | 3,00 | 3,00 | | | |
| 16 | 198÷1 | 3,00 | 3,00 | 3,00 | | | |
| 11 | 275÷1 | 3,00 | 3,00 | 3,00 | | | |
| 8,7 | 363÷1 | 3,00 | 3,00 | 3,00 | | | |
| 7,8 | 404÷1 | 3,00 | 3,00 | 3,00 | | | |
| 5,6 | 563÷1 | 3,00 | 3,00 | 3,00 | | | |
| 4,2 | 752÷1 | 3,00 | 3,00 | 3,00 | | | |
| Max. overall weight (kg) | | 0,6 | 0,6 | 0,6 | 0,7 | 0,7 | 0,7 |

Fitting model MA 42-40 motor is unnecessary for these gear ratios, because gear box is limited to 3.0 N.m.

PERFORMANCES

