

## MA 63-40 MOTOR

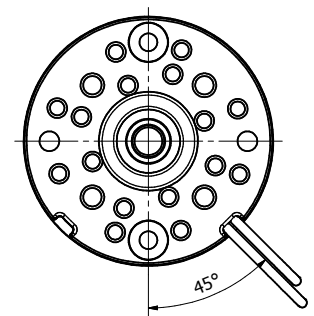
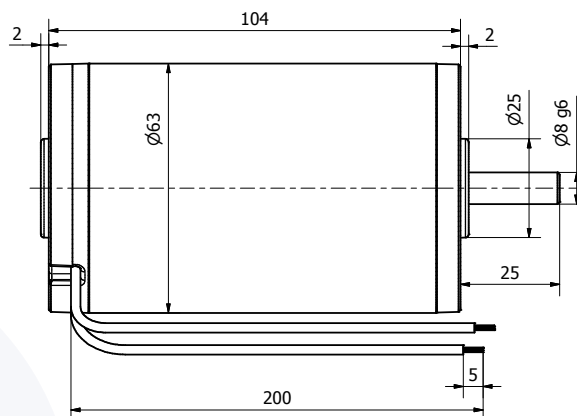
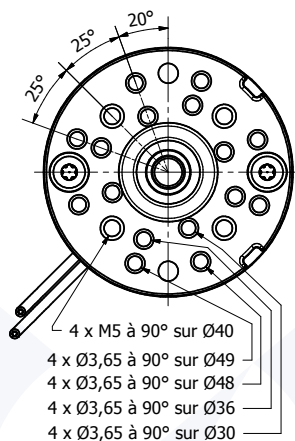
### DESCRIPTION

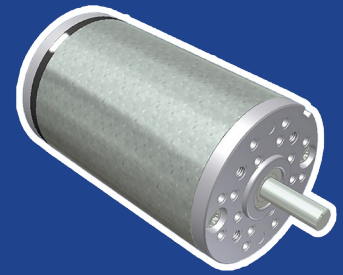
- Permanent magnet motor.
- Rotation direction CW seen from shaft end, the reverse may be obtained by reversing the electrical connection.
- Rotation on 2 ball bearings.
- Electric connection by 2 x 200 mm wires.
- Closed motor with 2 zamak flanges.
- Sealing class : IP50.
- Insulation class : B.
- Brush life time up to 3000 h depending use cycles.

### OPTIONS

- Any other input DC voltage is possible up to 240VDC.
- Any other rotation speed between 1000 and 6500 RPM is possible on request.
- Possibility of other flange, in line to your need.
- Possibility of shaft end dedication, in line to your need.
- Possibility to adapt a second output shaft on the opposite side of regular output shaft.
- Possibility to fit a tachometer.
- Possibility to fit a braking system.
- Possibility to fit a parallel gear reducer or planetary gear reducer (refer following pages).

### 2D PLAN





## MA 63-40 MOTOR

### CHARACTERISTICS



Part number	MA 63-40 001	MA 63-40 002	MA 63-40 003	MA 63-40 004	MA 63-40 005	MA 63-40 006
Input voltage (VDC)	12	24	48	110	24	72
No load rotation speed (RPM)	3600	3500	3300	3400	1270	5600
No load amperage (A)	1,0	0,5	0,2	0,08	0,2	0,3
Nominal rotation speed (RPM)	2980	2950	2850	2980	1050	4900
Nominal torque (N.cm)	14	15	14	12	12	20
Nominal output wattage (W)	44	47	42	39	13	105
Nominal amperage (A)	5,7	2,9	1,3	0,6	0,8	2,2
Nominal input wattage (W)	69	70	62	66	19	161
Nominal efficiency (%)	64	67	67	58	66	66
Locked rotor torque (N.cm)	95	100	105	100	68	170
Locked rotor amperage (A)	30	16,5	8,5	4,3	4,0	16,4
Rotor inertia (g.cm <sup>2</sup> )	450	446	443	442	442	450
Max. weight (kg)	1,1	1,1	1,1	1,1	1,1	1,1

### PERFORMANCES

